

Size: 445mm × 146mm × 130mm

Motor: Capacitor induction

Bearing: Ball

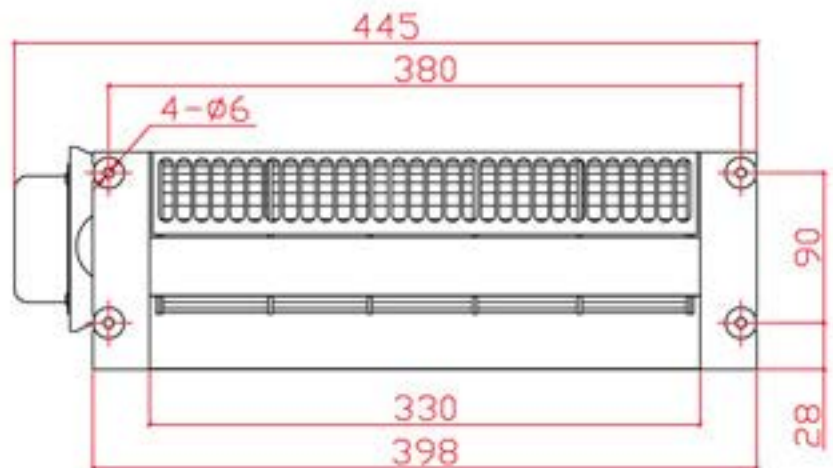
Impeller: Reinforced Plastic, $\varnothing 91\text{mm} \times 320\text{mm}$

Frame: Steel with plastic-coated

Weight: 2.7kg

Life: 30000hours

Operation Temperature: $-20^{\circ}\text{C} \sim +50^{\circ}\text{C}$



Model	Voltage VAC	Freq. Hz	Current A	Power W	Speed RPM	Air flow m^3/hr	Noise dB
ZQF-330	100	50/60	0.23/0.26	24/27	1140/1060	300/265	≤ 47
	110		0.25/0.28	27/30	1170/1090	320/300	≤ 47
	127		0.22/0.25	28/31	1230/1260	345/345	≤ 47
	220		0.10/0.13	22/27	1240/1320	330/350	≤ 47
	230		0.10/0.13	23/28	1270/1350	340/360	≤ 47

