

**Size:** 380mm×255mm×215mm

**Motor:** Capacitor induction

**Bearing:** Ball

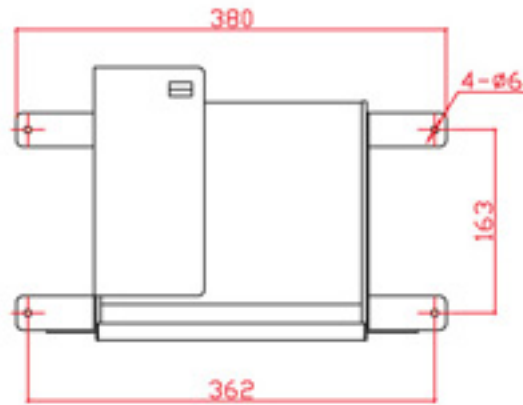
**Impeller:** Metal,  $\varnothing 130\text{mm} \times 190\text{mm}$

**Frame:** Steel with electroplate

**Weight:** 5.2kg

**Life:** 20000hours

**Operation Temperature:**  $-20^{\circ}\text{C} \sim +50^{\circ}\text{C}$



Model	Voltage VAC	Freq. Hz	Current A	Power W	Speed RPM	Air flow $\text{m}^3/\text{hr}$	Noise dB
GF-Q235	220	50/60	0.83/0.95	170/195	1150/1050	750/700	$\leq 62$

