

**Size:** 270mm × 205mm × 210mm

**Motor:** Capacitor induction

**Bearing:** Ball

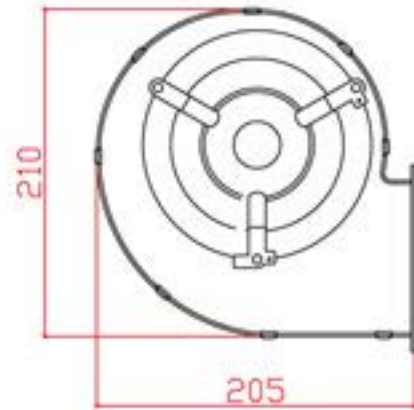
**Impeller:** Metal,  $\varnothing$ 130mm × 190mm

**Frame:** Steel with electroplate

**Weight:** 4.5kg

**Life:** 20000hours

**Operation Temperature:** -20°C ~ +50°C



Model	Voltage VAC	Freq. Hz	Current A	Power W	Speed RPM	Air flow m <sup>3</sup> /hr	Noise dB
GF-Q235A	220	50/60	0.83/0.95	170/195	1150/1050	750/700	≤62

