

Size:263mm×224mm×250mm

Motor:Capacitor induction

Bearing:Ball

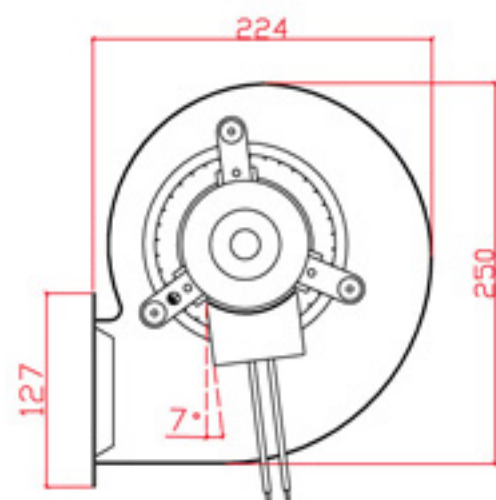
Impeller:Metal, \varnothing 130mm×176mm

Frame:Steel with plastic-coated

Weight:4.3kg

Life:30000hours

Operation Temperature:-20℃~+50℃



Model	Voltage VAC	Freq. Hz	Current A	Power W	Speed RPM	Air flow m ³ /hr	Noise dB
GF-Q235B	115	50/60	1.07/1.03	92/110	1365/1575	660/760	≤59
	220		0.32/0.36	71/80	1225/1400	560/640	≤52

